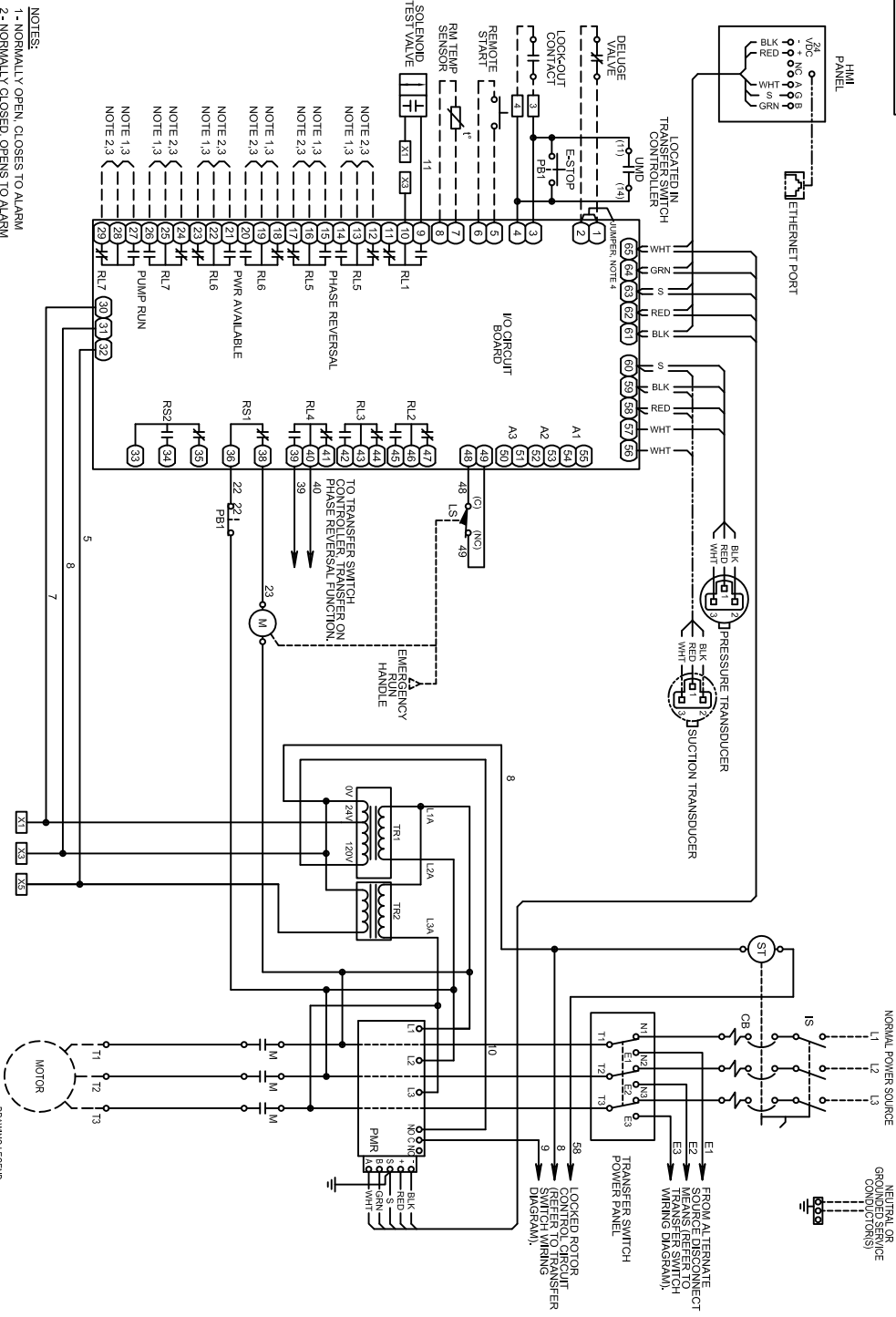


REVISIONS	NEW RELEASE
PER EON L00141	REV/A: 05-24-10
	N.C. CONTACTS OF
	RL1, TR2 & TR3
	ADDED, ADD TEST
	SOLENOID TO RL1,
	EON E00705, L&T

- NOTES:
- 1- NORMALLY OPEN, CLOSERS TO ALARM
 - 2- NORMALLY CLOSED, OPENS TO ALARM
 - 3- CONTACT RATING: 5 AMP MAX, 240 VAC, 30 VDC
 - 4- REMOVE JUMPER WHEN DELUGE VALVE IN USE



TITLE BUL-10630 FIRE PUMP CONTROLLERS, ACROSS THE LINE MADE BY SDC APP'D DJD

STARTING WITH TRANSFER SWITCH (DUAL UTILITY CONTROL) DATE 04/28/08

SCALE: 0:8

JOSLYN CLARK

JOSLYN CLARK CONTROLS, LLC
ELIZABHTOWN, NC 28837 USA

A 10-10630-21

SHEET 1 OF 1

REV. 1/11

DESIGN LEGEND

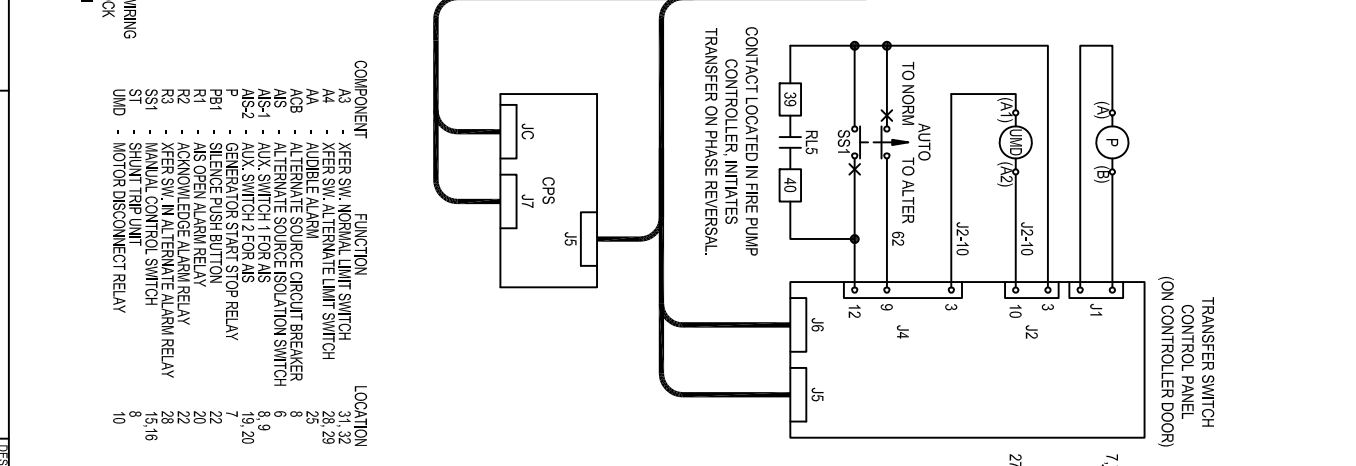
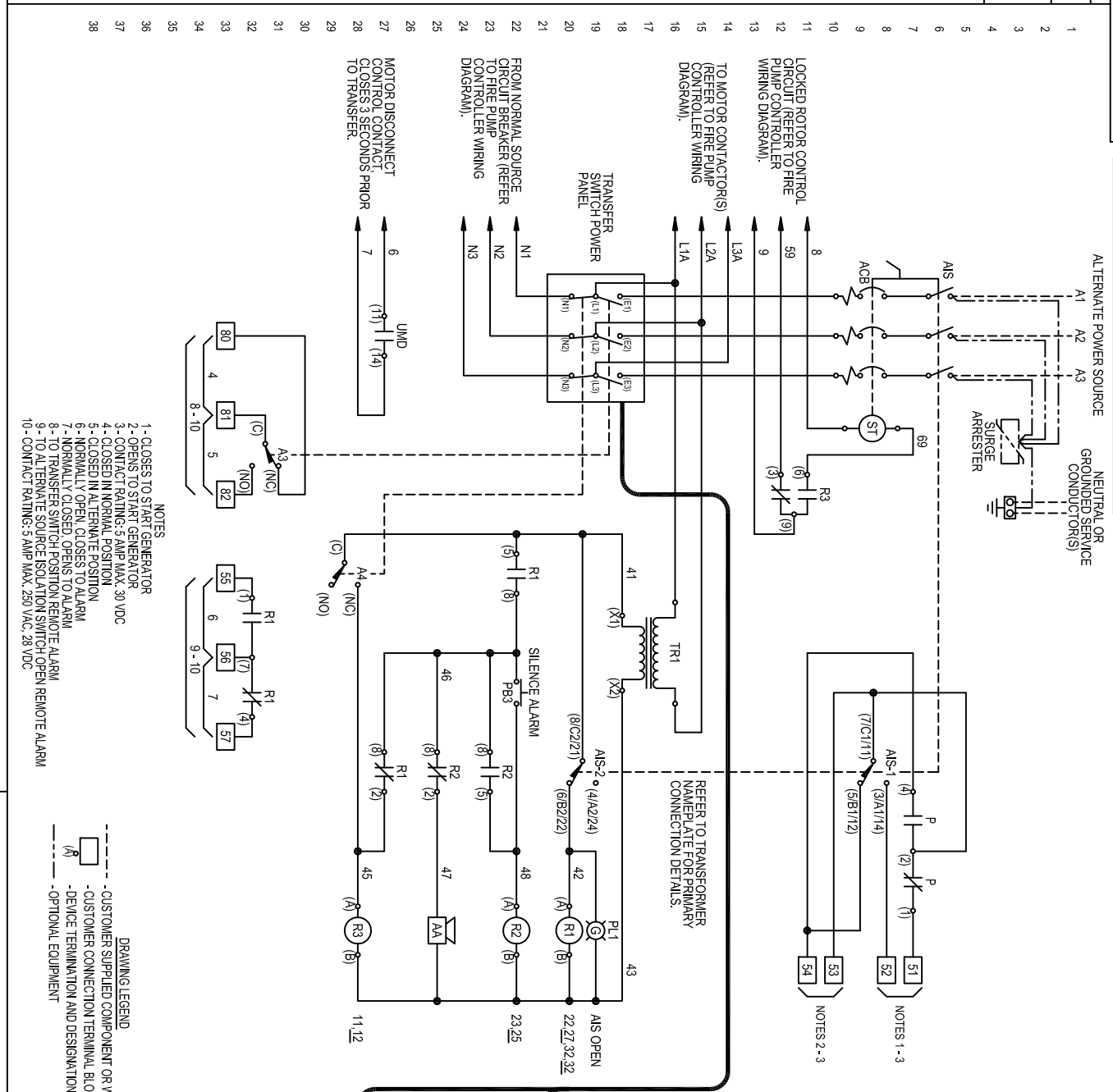
- CUSTOMER SUPPLIED COMPONENT OR WIRING
- CUSTOMER CONNECTION TERMINAL BLOCK
- NO CIRCUIT BOARD CONNECTION
- DEVICE TERMINATION AND DESIGNATION
- OPTIONAL EQUIPMENT

12-00901-01 A

SUITABLE FOR USE AS SERVICE EQUIPMENT

REVISIONS	
NEW RELEASE	PER ECN 14382.
REV. A: 1-17-2011	ADD TERM #S TO AIS-1 AND AIS-2
ECN ED0787, DJD	

1	ALTERNATE POWER SOURCE
2	NEUTRAL OR GROUNDED SERVICE CONDUCTOR(S)
3	SURGE ARRESTER
4	TRANSFER SWITCH PANEL
5	FROM NORMAL SOURCE CIRCUIT BREAKER (REFER TO FIRE PUMP CONTROLLER WIRING DIAGRAM).
6	TO MOTOR CONTACTOR(S) (REFER TO FIRE PUMP CONTROLLER WIRING DIAGRAM).
7	LOCKED ROTOR CONTROL CIRCUIT (REFER TO FIRE PUMP CONTROLLER WIRING DIAGRAM).
8	TO TRANSFORMER NAMEPLATE FOR PRIMARY CONNECTION DETAILS.
9	REFER TO TRANSFORMER NAMEPLATE FOR PRIMARY CONNECTION DETAILS.
10	CONTACT RATING: 5 AMP MAX, 28 VDC



- NOTES**
- 1- CLOSES TO START GENERATOR
 - 2- OPENS TO START GENERATOR
 - 3- CONTACT RATING: 5 AMP MAX, 30 VDC
 - 4- CLOSED IN NORMAL POSITION
 - 5- CLOSED IN ALTERNATE POSITION
 - 6- NORMALLY OPEN, CLOSING TO ALARM
 - 7- NORMALLY CLOSED, OPENING TO ALARM
 - 8- TO TRANSFER SWITCH POSITION REMOTE ALARM
 - 9- TO ALTERNATE SOURCE ISOLATION SWITCH OPEN REMOTE ALARM
 - 10- CONTACT RATING: 5 AMP MAX, 28 VDC

- COMPONENT**
- A3 - XFEER SW, NORMAL LIMIT SWITCH
 - A4 - XFEER SW, ALTERNATE LIMIT SWITCH
 - AA - AUDIBLE ALARM
 - ACB - ALTERNATE SOURCE CIRCUIT BREAKER
 - AIS - ALTERNATE SOURCE ISOLATION SWITCH
 - AIS-1 - AUX. SWITCH 1 FOR AIS
 - AIS-2 - AUX. SWITCH 2 FOR AIS
 - P - GENERATOR START STOP RELAY
 - PB1 - SILENCE PUSH BUTTON
 - R1 - AIS OPEN ALARM RELAY
 - R2 - SILENCE ALARM RELAY
 - R3 - ACKNOWLEDGE ALARM RELAY
 - SS1 - XFEER SW, IN ALTERNATE ALARM RELAY
 - SS2 - MANUAL CONTROL SWITCH
 - ST - SHUNT TRIP UNIT
 - UWD - MOTOR DISCONNECT RELAY

- LOCATION**
- 31-32
 - 28-29
 - 25
 - 8
 - 6
 - 8, 9
 - 19, 20
 - 7
 - 22
 - 22
 - 22
 - 28
 - 15, 16
 - 8
 - 10

- DRAWING LEGEND**
- - - CUSTOMER SUPPLIED COMPONENT OR WIRING
 - CUSTOMER CONNECTION TERMINAL BLOCK
 - ⊠ DEVICE TERMINATION AND DESIGNATION
 - ⊡ OPTIONAL EQUIPMENT

TITLE: BUL, 10600 FIRE PUMP CONTROLLER AUTOMATIC TRANSFER SWITCH MADE BY: SDC APP'D: DJD

FOR DUAL UTILITY CONTROL DATE: 01/17/11

SCALE: 1

FILE: 10600Z1 REV A

JOSLYN CLARK CONTROLS, LLC
LANCASTER, SC USA 29720-8842

A 10-10600-21

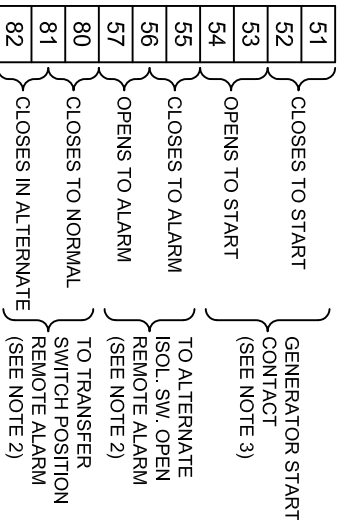
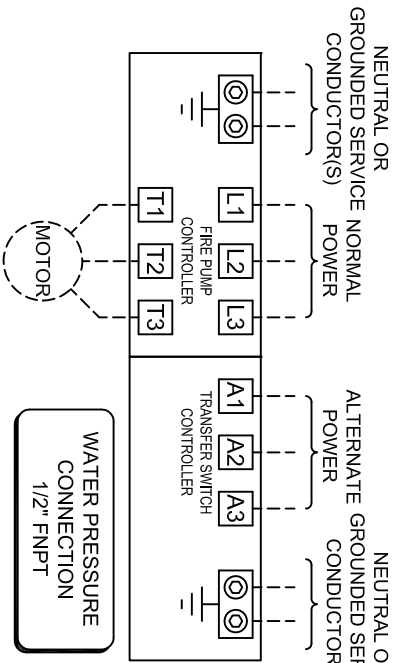
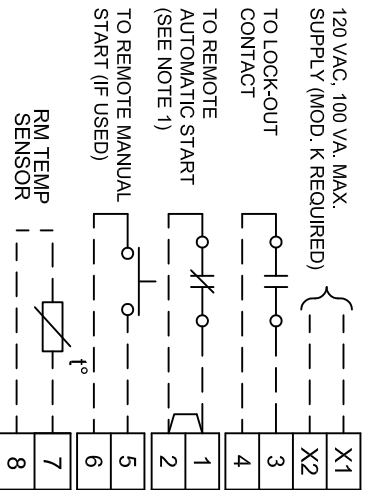
SHEET 1 OF 1

DESIGN: G REV: A

22-03901-01 A

REVISIONS

NEW RELEASE PER ECN L00141
REV A: G SERIES PRODUCT LAUNCH PER ECN E00787



SUITABLE FOR USE AS SERVICE EQUIPMENT

LINE TERMINAL LUG SIZE (PER PHASE)

HORSEPOWER	WIRE CAPACITY (COPPER WIRE)		
	200 V.	230 V.	380 V.
5 - 25	5 - 30	5 - 50	5 - 60
30	---	60	75
40 - 60	40 - 75	75 - 125	100 - 150
75 - 150	100 - 200	150 - 350	200 - 350
200	250	400	400-450
---	---	5	5
5 - 60	5 - 75	7.5 - 100	7.5 - 100
75 - 100	100 - 125	125 - 200	125 - 200

MOTOR TERMINAL LUG SIZE (PER PHASE)

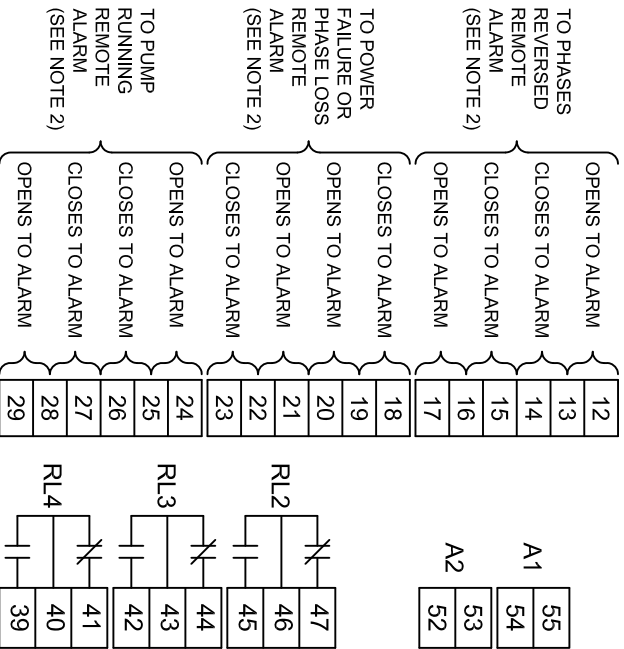
HORSEPOWER	WIRE CAPACITY (COPPER WIRE)		
	200 V.	230 V.	380 V.
5 - 15	5 - 20	5 - 30	5 - 40
20 - 30	35 - 30	40 - 60	50 - 60
40 - 50	40 - 60	75 - 100	75 - 125
60 - 100	75 - 125	125 - 200	150 - 250
125 - 200	150 - 250	250 - 450	300 - 500
---	---	5 - 25	5 - 30
20 - 30	20 - 30	30 - 60	40 - 60
40 - 50	40 - 60	75 - 100	75 - 125
60 - 100	75 - 125	125 - 200	150 - 250

NEUTRAL OR GROUNDING CONDUCTORS

5 - 25	5 - 30	5 - 50	5 - 60	5 - 60	5 - 75
30 - 60	40 - 75	60 - 125	75 - 150	75 - 150	100 - 200
75 - 100	100 - 125	150 - 200	200 - 250	200 - 250	250 - 350
125 - 200	150 - 250	250 - 400	300 - 450	300 - 500	400 - 500

CONDUCTOR NOTES

- FOR PROPER WIRE SIZING, REFER TO THE NATIONAL ELECTRICAL CODE, NFPA 70 OR OTHER LOCAL CODES.
- CONTROLLERS IS PHASE ROTATION SENSITIVE. OBSERVE PHASE ROTATION, L1,L2,L3 MUST BE IN ABC SEQUENCE.
- THE LINE AND MOTOR TERMINALS WILL ACCOMMODATE, AS A MINIMUM, COPPER CABLES CAPABLE OF CARRYING 125% OF THE MOTOR FULL LOAD CURRENT.



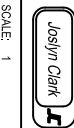
NOTES:

- REMOVE JUMPER IF A REMOTE AUTOMATIC START DEVICE IS USED. THE CONTACT ON THE DEVICE OPEN TO START THE PUMP.
- ALARM CONTACT RATING: 5 AMP MAX. 240 VAC. 30 VDC.
- GENERATOR START CONTACT RATING: 5 AMP MAX. 30 VDC.

TITLE BUL. 10630 FIRE PUMP CONTROLLERS, ACROSS THE LINE STARTING WITH TRANSFER SWITCH (DUAL UTILITY CONTROL)

MADE BY SDC DATE 06/03/08

APP'D DJD



JOSLYN CLARK CONTROLS, LLC
ELIZABETHTOWN, NC USA 28337

SCALE: 1

A 10-10630-22

SHEET 1 OF 1

DESIGN: **G**
REV: **A**